

# WITTKE

## FRONT LOADERS

### ANYTHING IS POSSIBLE WITH A WITTKE™



- 30 yd<sup>3</sup> to 44 yd<sup>3</sup> body sizes
- Up to 650 lbs/yd<sup>3</sup> compaction
- Plow shape packer panel for higher compaction and limited debris build-up behind the packer
- Positive locking tailgate mechanism extends service life of seal and contains liquid
- Hydraulic valve located side of body
- 10,000 lb Load Rated Arms with a 14 Second Lift Cycle
- 12 yd<sup>3</sup> hopper

- Full AR450 Steel construction & single piece body walls for increased strength and seamless appearance
- Fully Integrated Labrie CNG Systems – roof, frame and back of cab mount – 60 to 97 DGE available
- Multiplex Electrical System with In-Cab Diagnostic tools for easy troubleshooting
- Chromed telescopic packer cylinders
- Superduty, Starlight, Featherweight packages
- Also Available: Nitrided Durascope cylinders & Chromium packer shoes and rails

Body Specifications	Starlight	Superduty
Body Floor	0.157" AR450 175,000psi	3/16" AR450 175,000psi
Body Sides	1/8" AR450 175,000psi	0.157" AR450 175,000psi
Body Roof	1/8" AR450 175,000psi	0.157" AR450 175,000psi
Tailgate (Curved Face)	1/8" AR450 175,000psi	0.157" AR450 175,000psi

Fork Specifications	Starlight	Superduty
Forks Thickness	1" Weldox 700 100,000psi	1-1/2" Weldox 700 100,000psi

Packer Specs	Starlight	Superduty
Compaction ratio (lbs/yd <sup>3</sup> )	600	650
Packer Panel Lower Face Plate	3/16" AR450 175,000psi (1/4" on 34 yd <sup>3</sup> bodies)	3/16" AR450 175,000psi (1/4" on 34 yd <sup>3</sup> bodies)
Packer Panel Upper Face Plate	0.157" AR450 175,000psi	0.157" AR450 175,000psi
Bottom packer Wear Shoes	3/8" AR450 175,000psi (Chromium optional)	3/8" AR450 175,000psi (Chromium optional)

Arm Specifications	Starlight	Superduty
Arm Construction	10,000 lbs load rated arms	10,000 lbs load rated arms
Arm Thickness	4"	4"
Arm Side Plates	1/4" 100 XF 100,000psi	1/4" 100 XF 100,000psi
Arm Lifting Capacity	8,000 lbs (10,000 lbs optional)	8,000 lbs (10,000 lbs optional)

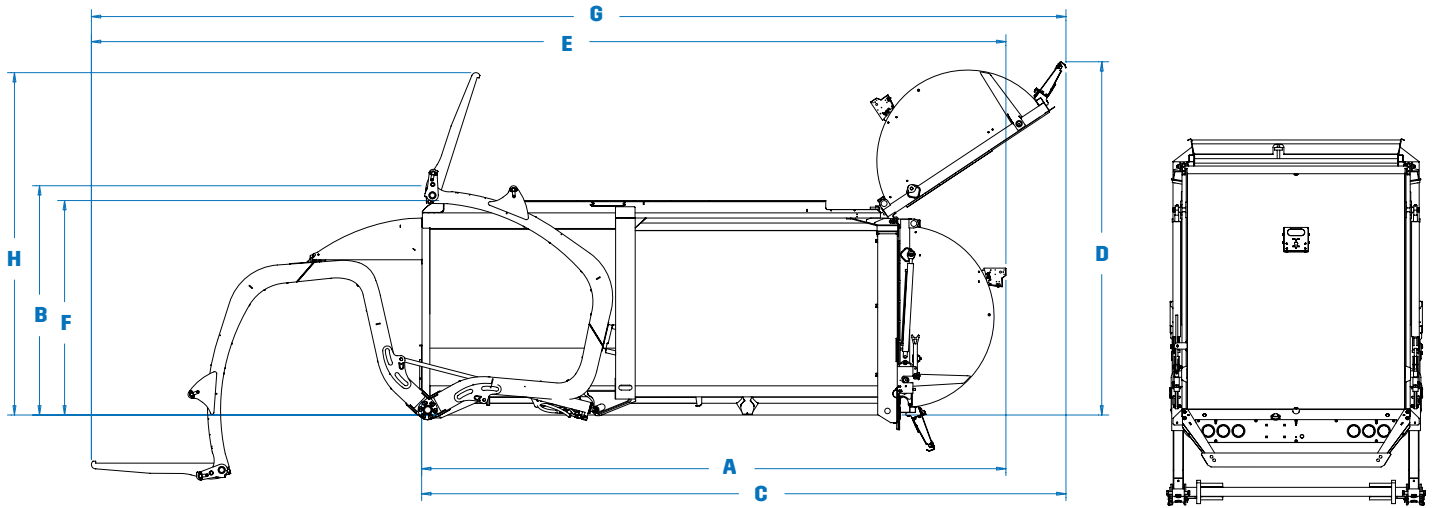
Hopper Specifications	Starlight	Superduty
Hopper Size (yd <sup>3</sup> )	12	12
Hopper Width	80"	80"
Hopper Floor	3/16" AR450 175,000psi	1/4" AR450 175,000psi
Hopper Sides	0.157" AR450 175,000psi	3/16" AR450 175,000psi

Cylinder Specifications	Starlight	Superduty
Packer Cylinders (30yd <sup>3</sup> bodies)	3 stages 5-1/2" bore x 133-9/16" stroke	-
Packer Cylinders (34yd <sup>3</sup> bodies)	3 stages 5-1/2" bore x 167-13/16" stroke	3 stages 5-1/2" bore x 167-13/16" stroke
Packer Cylinders (38yd <sup>3</sup> bodies)	3 stages 5-1/2" bore x 181-1/2" stroke	3 stages 5-1/2" bore x 181-1/2" stroke
Arms Cylinders (8,000 lbs Lifting capacity)	4-1/2" bore x 2" rod x 45-3/8" stroke	4-1/2" bore x 2" rod x 45-3/8" stroke
Forks Cylinders	3-1/2" bore x 1-3/4" rod x 18-7/8" stroke	3-1/2" bore x 1-3/4" rod x 18-7/8" stroke
Tailgate Cylinders	2-1/2" bore x 1-3/4" rod x 39" stroke	2-1/2" bore x 1-3/4" rod x 39" stroke
Top Door Cylinder	2-1/2" bore x 1-1/2" rod x 92" stroke	2-1/2" bore x 1-1/2" rod x 92" stroke

Hydraulics	Starlight	Superduty
Pump Make & Model	Muncie Live Pak (gear)	Muncie Live Pak (gear)
Pump Capacity	60 gpm @ 1500 rpm	60 gpm @ 1500 rpm
Max. Operating Pressure	2,500 psi	2,750 psi
Oil Reservoir	74 gal	74 gal

Note: Specifications subject to change without notice





Body Dimensions	32yd <sup>3</sup> (30+2)	34yd <sup>3</sup> (30+4)	36yd <sup>3</sup> (30+6)	36yd <sup>3</sup> (34+2)	38yd <sup>3</sup> (34+4)	40yd <sup>3</sup> (34+6)	40yd <sup>3</sup> (38+2)	42yd <sup>3</sup> (38+4)	44yd <sup>3</sup> (38+6)
A. Overall Length with Arms Stowed. Tailgate Closed (in.)	245	260	275	269	284	299	296	311	326
Overall Width (in.)	102	102	102	102	102	102	102	102	102
B. Overall Height Above Frame with Arms Stowed. Tailgate Closed (in.)	118	118	118	118	118	118	118	118	118
C. Overall Length with Arms Stowed. Tailgate Open (in.)	305	305	305	329	329	329	356	356	356
D. Overall Height Above Frame with Arms Stowed. Tailgate Open (in.)	181	181	181	181	181	181	181	181	181
E. Overall Length With Arms/Forks Down. Tailgate Closed (in.)	414	429	444	438	453	468	465	480	495
F. Overall Height Above Frame With Arms/Forks Down. Tailgate Closed (in.)	110	110	110	110	110	110	110	110	110
G. Overall Length With Arms/Forks Down. Tailgate Open (in.)	474	474	474	498	498	498	525	525	525
H. Overall Height Above Frame with Arms Stowed/Forks Up. Tailgate Closed	175	175	175	175	175	175	175	175	175

Performance Specifications	Starlight	Superduty
Arms Up	12 - 14 sec @ 700 rpm	12 - 14 sec @ 700 rpm
Arms Down	10 - 12 sec @ 700 rpm	10 - 12 sec @ 700 rpm
Forks Up	3.5 - 4.5 sec @ 700 rpm	3.5 - 4.5 sec @ 700 rpm
Forks Down	3.5 - 4.5 sec @ 700 rpm	3.5 - 4.5 sec @ 700 rpm
Packer Extend	14 - 18 sec @ 1500 rpm	14 - 18 sec @ 1500 rpm
Packer Retract	5 - 6 sec @ 700 rpm	5 - 6 sec @ 700 rpm
Top Door complete cycle	13 - 17 sec @ 700 rpm	13 - 17 sec @ 700 rpm
Tailgate Open	21 sec @ 700 rpm	21 sec @ 700 rpm
Tailgate Close (with Safety Flow limiter)	26 sec @ 700 rpm	26 sec @ 700 rpm

